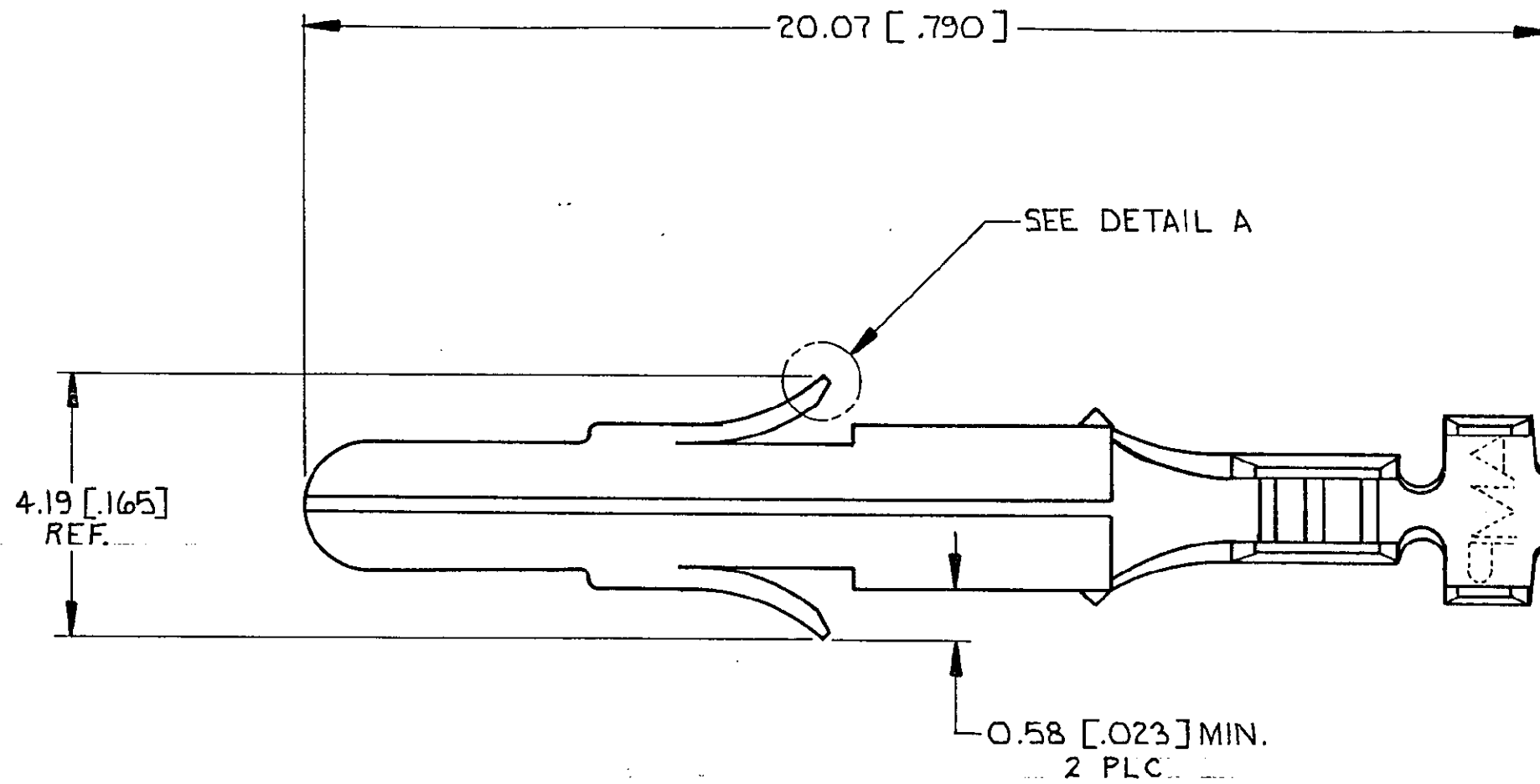
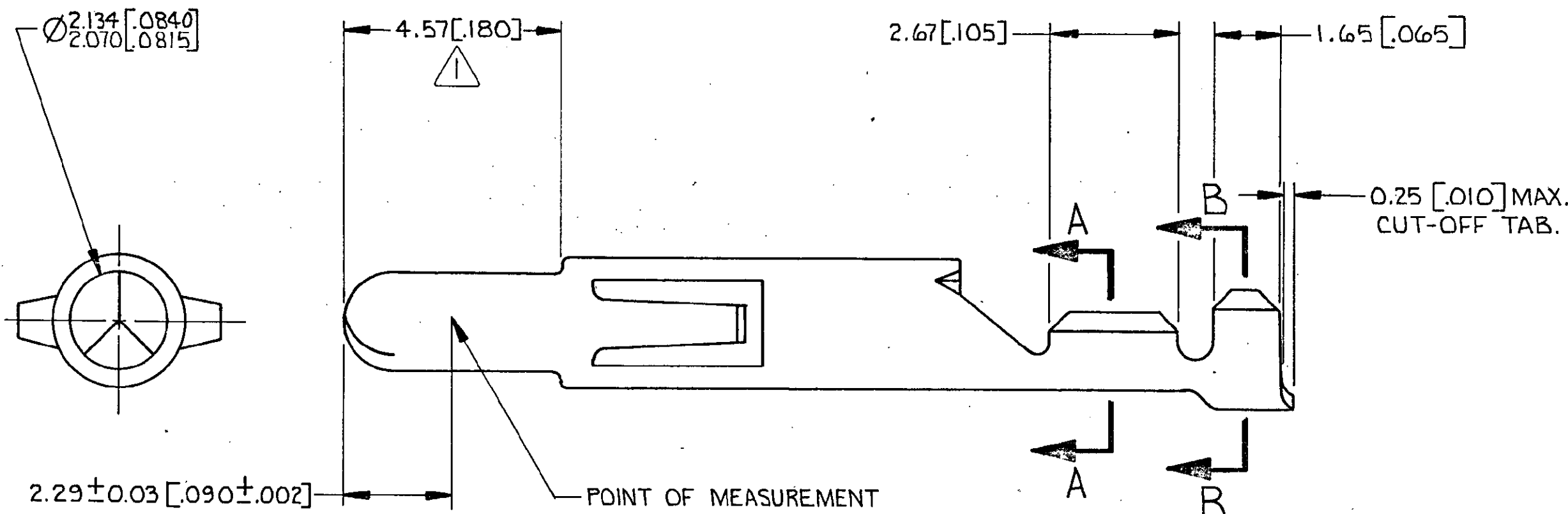


| LOC | DIST | P | F | ZONE | LTR | REVISIONS | DATE                     | APPD           |
|-----|------|---|---|------|-----|-----------|--------------------------|----------------|
| CM  | 53   |   |   |      |     | O         | RELEASED PER PR CM 90-28 | 2-26-90 PKC RS |
|     |      |   |   |      |     | A         | REVISED PER CM-3286      | 2-7-91 PKC RS  |
|     |      |   |   |      |     | B         | REV PER EC 0730-3607-91  | 1-7-94 RV RS   |
|     |      |   |   |      |     | C         | REV PER EC 0730-0156-94  | 8-24-94 RV RS  |



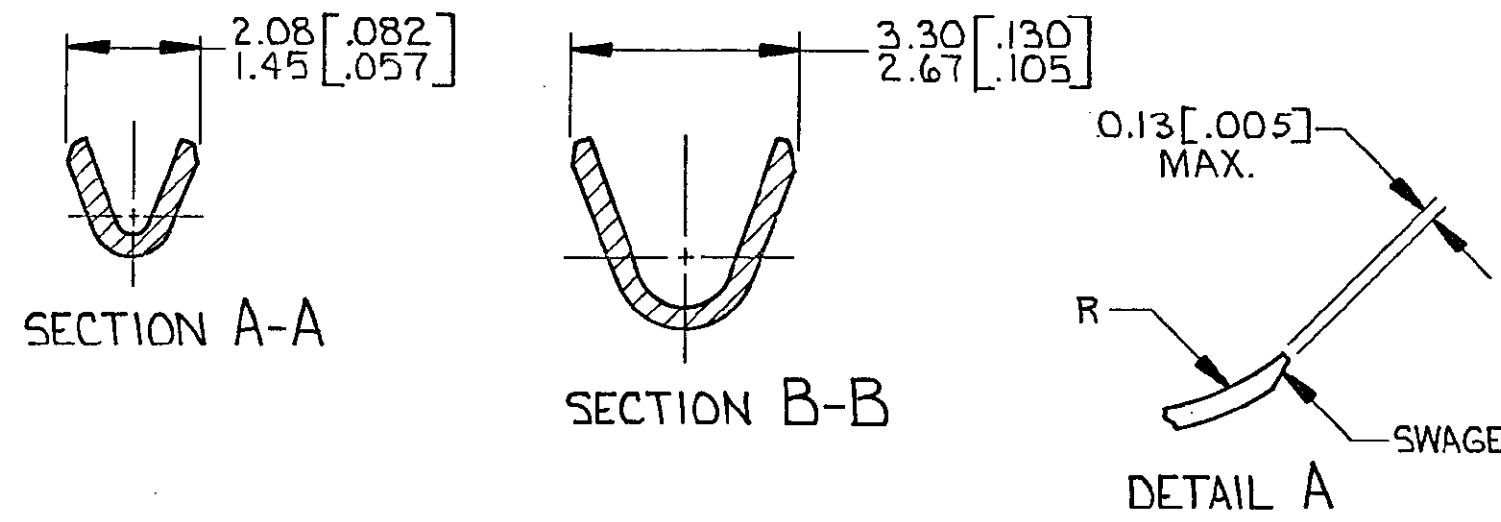
1 0.00076 - 0.00091 [.000030 - .000036] GOLD PLATE IN LOCALIZED GOLD PLATE AREA OVER 0.00127 [.000050] NICKEL UNDERPLATE ALL OVER. 0.00013 - 0.00020 [.000005 - .000008] GOLD FLASH ON REMAINDER OF CONTACT.

- DIMENSIONS IN BRACKETS ARE IN INCHES.
- WIRE RANGE: 0.05-0.15 mm<sup>2</sup> [30-26 AWG]  
 INSULATION RANGE: 0.81-1.45 [0.32-.057] DIA.



**METRIC**

|         |                    |           |
|---------|--------------------|-----------|
| △       | 0.30 [.012] PH BRZ | 770672 -6 |
| PRE-TIN | 0.30 [.012] BRASS  | 770672 -1 |
| FINISH  | MATERIAL           | PART NO   |



|   |               |                       |  |   |        |
|---|---------------|-----------------------|--|---|--------|
| UNLESS OTHERWISE SPECIFIED DIMENSIONS ARE IN INCHES TOLERANCES ON |               | DR P. Collins 2-26-90 |  | AMP   AMP INCORPORATED<br>Harrisburg, Pa. 17105 |        |
| 2 PL DEC  | ±             | CHK R. Spring 3-2-90  | NAME                                       |   |        |
| 3 PL DEC  | ± 0.13 [.005] | APPD M. Tull 3-2-90   | PIN, UNIVERSAL MATE-N-LOK,™<br>LOOSE PIECE |   |        |
| ANGLES  | ±             | APPD                  |  |   |        |
| MATERIAL  | SEE TABLE     | PRODUCT SPEC          |  |   |        |
| FINISH  | SEE TABLE     | APPLICATION SPEC      |  |   |        |
|   |               | WEIGHT                |  |   |        |
| SIZE  | C             | FSCM NO               | 00779                                      | DRAWING NO                                      | 770672 |
| SCALE   | 10:1          |                       |  | SHEET   | 1 OF 1 |